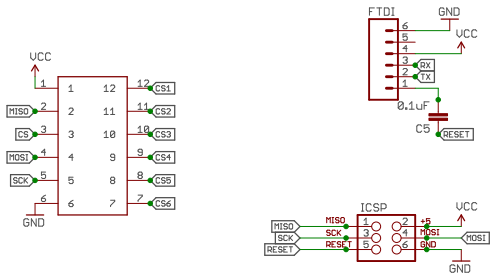
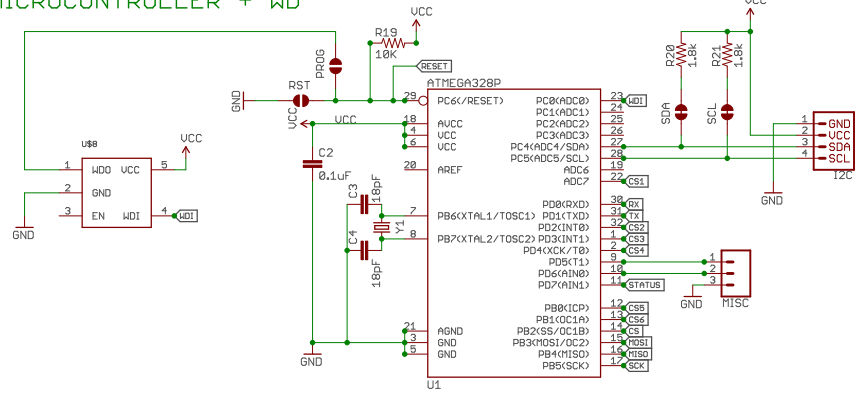


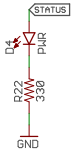
CONNECTORS



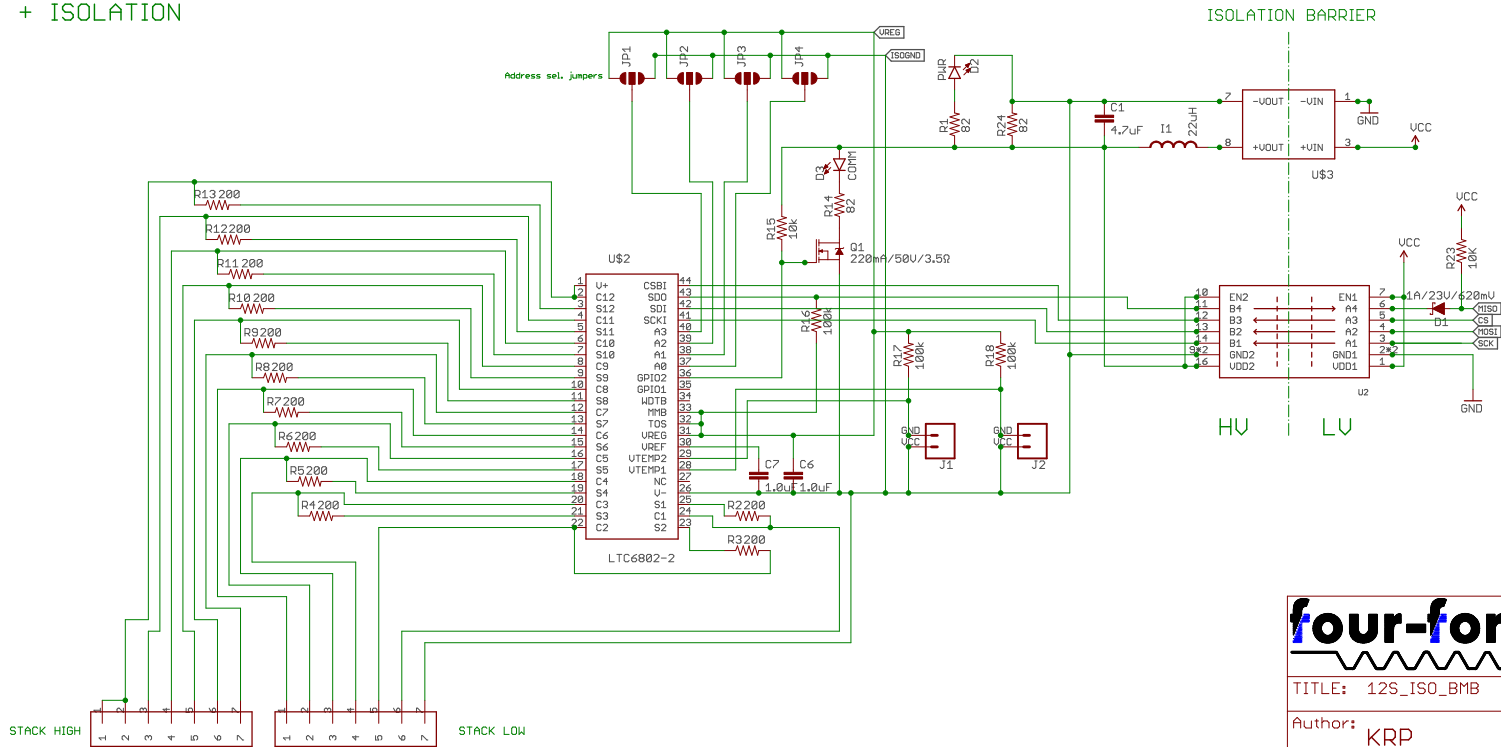
MICROCONTROLLER + WD



INDICATION



LTC6802-2 + ISOLATION



four-forty electronics

TITLE: 12S_ISO_BMB

Author: KRP

REV: 1B

Date: 9/6/2017 11:42 PM

Sheet: 1/1